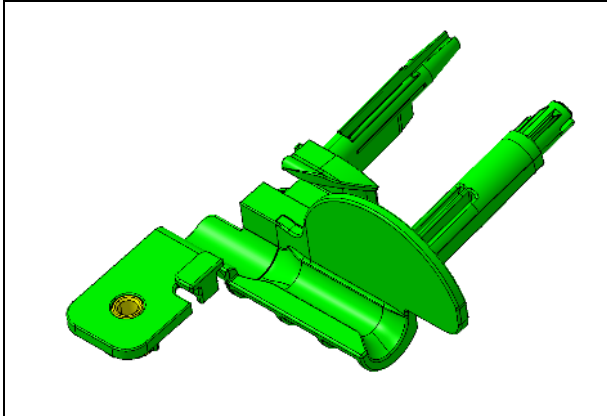
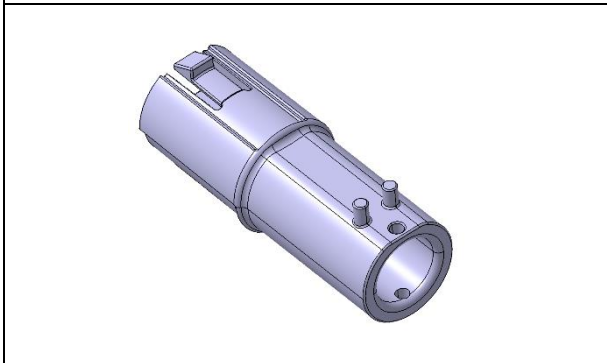
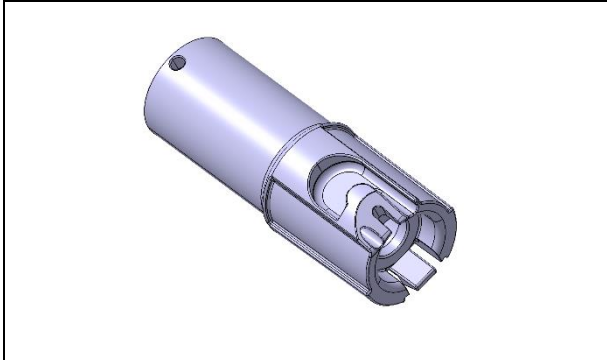
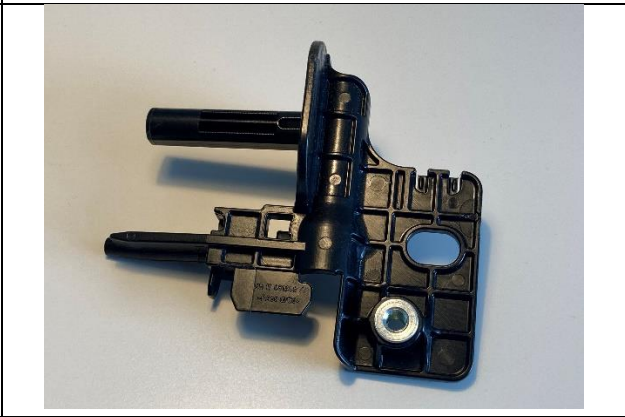
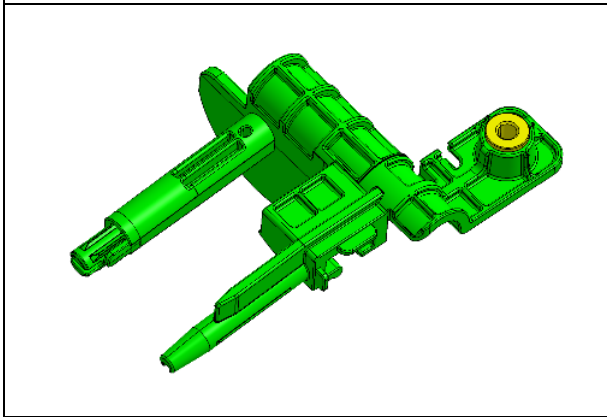
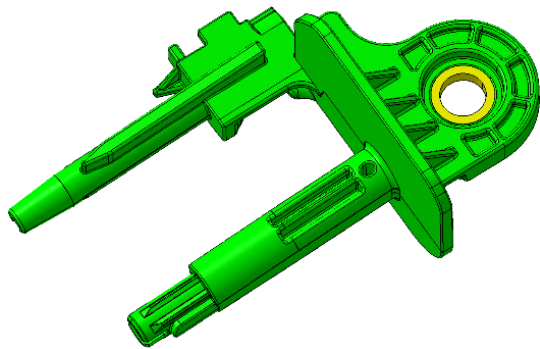
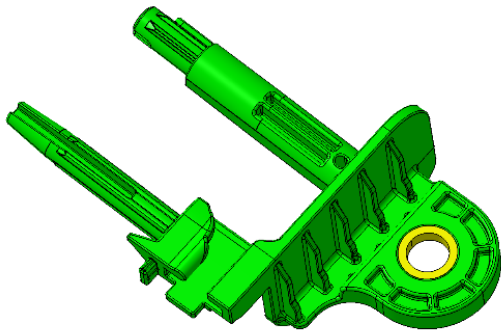


3D from Catia v5 (Surface Design)



3D Print samples





3D from Catia v5 (Surface Design)

3D Print sample (Selective Laser Melting)

